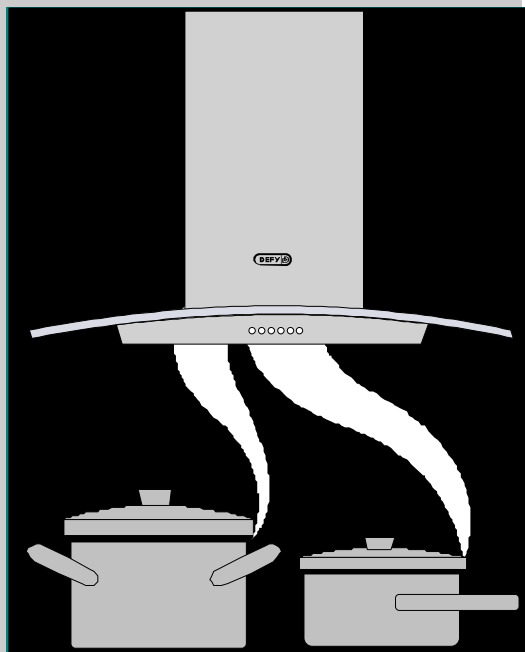


# OWNER'S MANUAL.



You can rely on Defy



## DCH 263 900C PREMIUM ISLAND EXTRACTOR HOOD- WITH CURVED GLASS

The manufacturer strives for continuous improvements. For this reason, the text and illustrations in this book are subject to change without notice.

**Part Number 066479**

# 900 C PREMIUM ISLAND EXTRACTOR HOOD

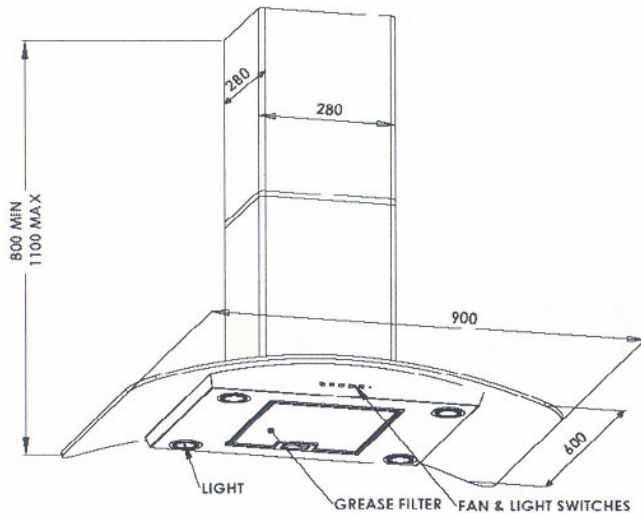
PLEASE READ THESE INSTRUCTIONS  
CAREFULLY  
BEFORE INSTALLING AND OPERATING.

## INDEX

- 2 Description.
- 2 Before use.
- 2 Safety advice.
- 2 Electrical connection.
- 3 Preparing for installation.
- 3 Re-circulating filtered air.
- 3 Venting air to the outside.
- 4 Installation.
- 5 Grease filter.
- 5 Optional carbon pad filter.
- 6 Operation.
- 6 Replacing the light bulbs.
- 7 Maintenance and cleaning.
- 7 Owner's responsibility.
- 8 Service.
- 8 Warranty.

[www.defy.co.za](http://www.defy.co.za)

## Description.



- The extractor hood fan extracts the kitchen vapours and passes them through the grease filter.
- The grease filter absorbs the solid particles in the cooking vapours, keeping the kitchen almost free of grease.

## Before use.

Before using your new extractor hood for the first time, please read this manual carefully. It contains important information concerning your personal safety as well as on the use and care of the extractor hood.

- Remove all packaging (except the protective film on the two chimney sections) and dispose of it in an environmentally friendly manner.
- If the extractor hood is damaged in any way, do not use it. Report the damage to your dealer, who will take the necessary corrective action. (Refer to Owner's responsibility on page 7 of this manual).

## Safety advice.

- This extractor hood complies with all relevant safety regulations.
- The extractor hood is not intended for use by young children or infirm persons without supervision.

- Never operate the extractor hood without a grease filter.
- Never leave cooking fat or oil unattended. Overheated fat or oil can easily catch fire.
- Do not flambé food directly under the extractor hood. The flames pose the risk of the grease filter catching fire. (see page 7 under maintenance and cleaning)
- Restrictions apply to the use of the extractor hood over a solid fuel or gas stove. (See Preparing for installation on page 3).
- Switch off the power at the mains in the event of a fault or when cleaning the extractor hood
- Do not touch any part of the light fittings while they are in use as they get very hot and could cause severe burns.

\*\*\*\*

## Electrical connection.

- A 220-250V/50Hz power supply is required.
- If the mains power cord is damaged, it must be replaced by a qualified electrician.
- The power cord is located in the chimney area. Should you require an installation with no visible wiring, a 15 amp earthed plug socket should be accessible either in the ceiling above the extractor hood or on the wall behind the chimney area. (A qualified electrician should provide this facility).
- **The extractor hood must be earthed. The manufacturer and the seller do not accept responsibility for any damage due to incorrect electrical connection.**
- **This extractor may not be used with a battery inverter power supply.**

## Preparing for installation.

The extractor hood has the ability to:

- 1. Re-circulate the filtered air back into the kitchen. Use this method where it is not possible or where you do not wish to vent through the ceiling.
- 2. To vent the filtered air through the ceiling and to the outside.
- Decide on which option best suits you before commencing with the installation.

## 1 Re-circulating filtered air.

- The extractor hood filters out solid particles before the air is re-circulated, via the vents on the side of the upper chimney, back into the kitchen.
- Care must be taken during installation not to obstruct these vents.
- No ducting is required for this type of installation.

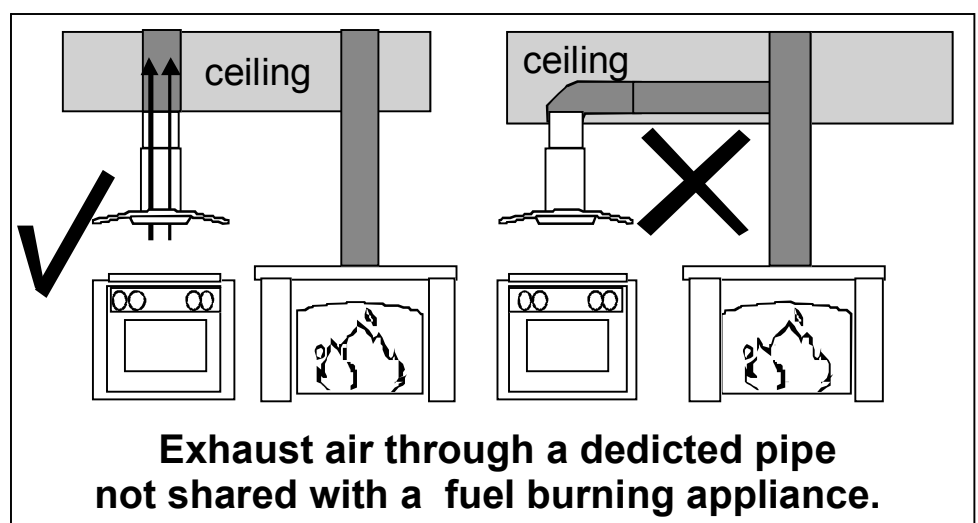
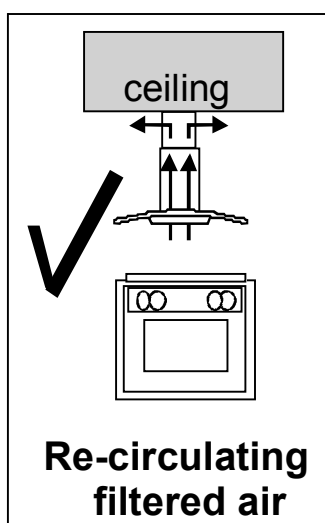
## 2 Venting air to the outside.

When discharging the air into a ventilation shaft or directly through the ceiling into the open, please take note of the following:

- Exhaust air from the extractor hood must not be directed into a flue or chimney which is used for exhausting the fumes or smoke from other appliances burning gas or fuels.
- Please ensure that regulations concerning the discharge of exhaust air have been fulfilled. (SABS IEC 60335-2-31).

For optimum extractor hood efficiency use a short, smooth, round air exhaust pipe with as few bends as possible. A 150mm diameter exhaust pipe is recommended. A long box section, narrowed or bent pipes will hinder performance and increase noise levels.

- **Connecting a 150 mm diameter pipe:** Mount the pipe directly onto the air outlet on the extractor hood.



# INSTALLATION.

**Note: The extractor hood is intended to hang from a horizontal ceiling capable of supporting the weight of the hood. (Approximately 40Kg.)**

## Step 1

- Carefully unpack the extractor hood, the component parts and remove the grease filter. See page 5.
- With the assistance of a qualified installer, mount the top extension adaptor to the ceiling directly above the cooking surface using the 4 x M6 bolts as supplied.
- Where applicable, cut a hole in the ceiling to accept the power cord, the fitted plug and an outlet pipe.

## Step 2

- Fit and secure the square tubes into the for recesses on the extractor hood as shown using the 12 x M6 bolts and washers supplied.

## Step 3

- Slide the lower chimney duct onto the extractor hood as shown.
- Slide the top chimney ( the one with the slotted vents) into the lower chimney duct.

## Step 4

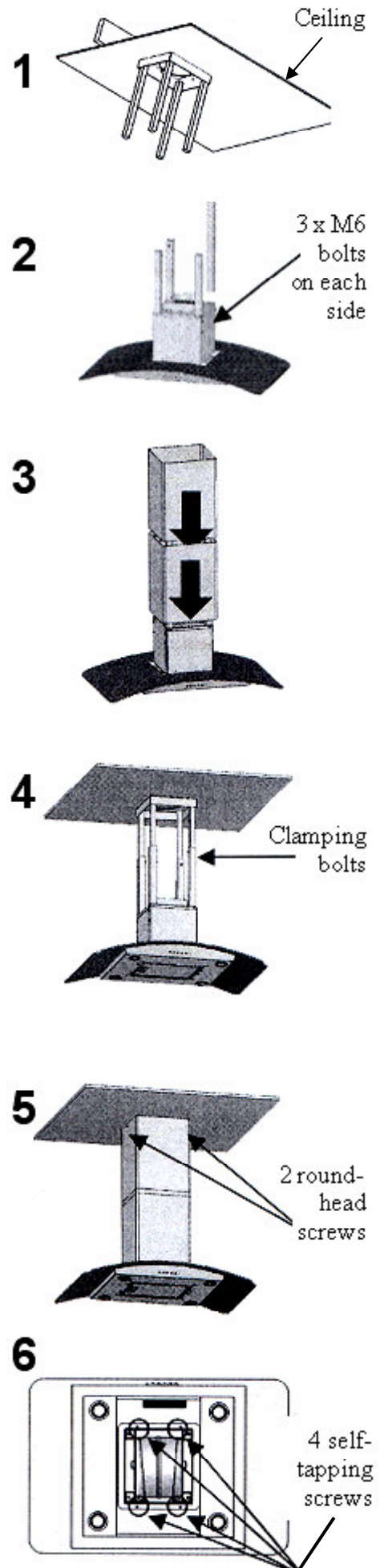
- Lift the extractor hood assembly into the top extension adaptor. Adjust to a suitable height( minimum 750mm above the cooking surface).
- Ensure that the extractor hood is level before tightening the 4 x M8 clamping bolts which hold the hood in place.
- Connect the outlet pipe, if required, and insert the fitted plug into a 15A earthed socket.

## Step 5

- Slide the upper chimney duct into place against the ceiling.
- Fasten from the sides with 2 x 4.8mm self tapping screws.

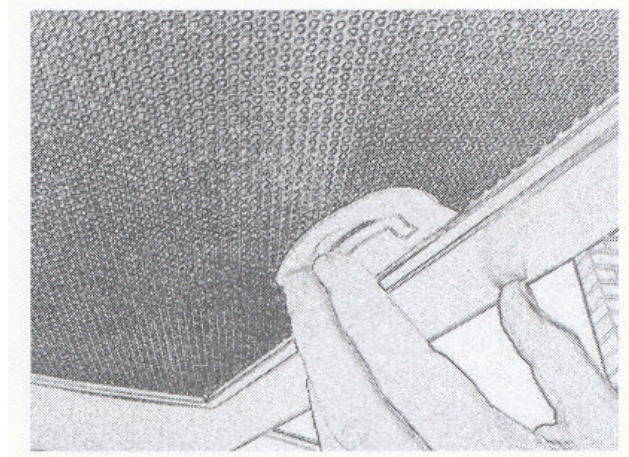
## Step 6

- Fasten the lower chimney duct to the extractor hood from underneath as shown.



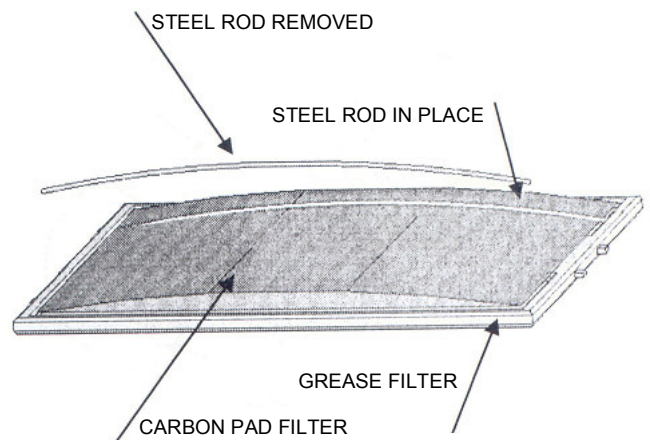
## Grease filter.

- Remove the plastic outer protective lining on the grease filter before fitting it to the extractor hood.
- To fit the filter, engage the two lugs at the rear of the filter into the rectangular slots of the extractor hood frame, lift the filter and press the handle catch inwards .
- Engage the filter and release the catch.
- To remove the filter, for cleaning purposes, reverse the procedure described above.



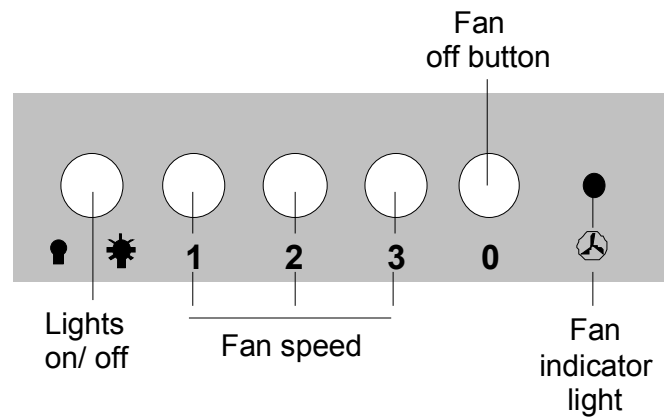
## Optional Carbon pad filter.

- An installation featuring an outside duct does not require a carbon pad filter.
- A carbon pad filter assists in removing unwanted cooking odours from the kitchen.
- Should you require a carbon pad filter, a factory approved kit may be purchased from your nearest Defy Service Centre or their authorised agents.



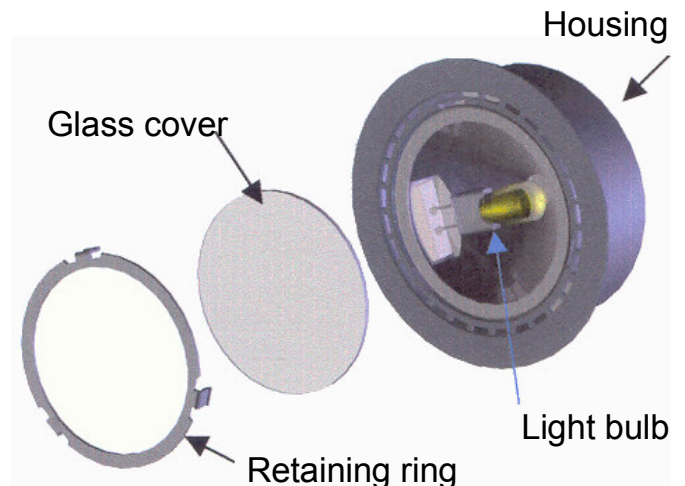
## Operation.

- Select the fan speed you require.
- Push button **3** for **high**, **2** for **medium** and **1** for **low**. The fan indicator light will glow and the fan will operate at the selected setting.
- To switch off the fan, push the **fan off button** marked **0**.
- If required, you may illuminate the cooking area by switching the hood lights on.
- Leave the hood running for a short period after the cooking has been completed to clear any smoke and odours.



## Replacing the light bulbs.

- Switch off the electricity supply.
- **If the bulb has recently failed, it might still be very hot. Allow the glass cover to cool before attempting to remove the bulb.**
- Hold the glass cover and unclip the retaining ring by inserting a finger nail along the outer edge and pulling down.
- Be careful not to let the glass cover fall.
- Replace the light bulb with a commercially available OSRAM 12V 20W (64425) or equivalent bulb.
- **Take care not to handle the replacement bulb with bare fingers as transferred skin oil may shorten the life expectancy of the halogen bulb.**
- Fit the glass cover in the retaining ring, align the 3 clips to the slots and clip back into place.
- Switch on the electricity supply.



## Maintenance and cleaning.

### **Important:**

**Before cleaning any part of the hood, switch the power off at the mains.**

### **Cleaning the metal grease filter.**

- In normal operation (1 to 2 hours daily), the metal grease filter must be cleaned every 8 to 10 weeks.
- The filter may be washed in a dishwasher, however they may discolour slightly.
- When hand cleaning the filter, soak in hot, soapy water to loosen the grease.
- Brush with a stiff nylon brush.
- Rinse clean and allow to air dry before re-fitting.
- **If cleaning is not carried out in accordance with the instructions, the accumulated grease could, over time, become a fire risk.**

### **General cleaning.**

Stainless steel is not adversely affected by normal household use but because of its reputation for durability, it is sometimes assumed to be indestructible, and therefore subjected to misuse or even abuse. Care should be taken to avoid such 'abnormal use'.

### **Cleaning materials.**

#### **Do use:**

- A moist lint free soft cloth or synthetic sponge.
- Soap, or mild liquid detergent.
- A mild window cleaner.
- Diluted ammonia in warm water.
- A nylon bristle brush.
- Cleaners labelled "Suitable for stainless steel".

#### **Do not use:**

- A steam cleaner.
- Acid, alcohol, soda, chloride or spirit based cleaners.
- Coarse abrasive cleaning powders.
- Metallic scourers, steel wool, metal scrapers, or plastic scouring pads.
- Wire brushes or emery paper.
- So called "silver cleaners".

### **Cleaning procedure**

- Frequent cleaning is recommended rather than an occasional aggressive clean.
- Routine cleaning will preserve the corrosion resistance and the appearance of the stainless steel for many years.
- Clean the stainless steel as often as necessary (i.e. when it is noticeably dull or dirty) and use the simplest cleaning method that will effectively do the job.
- Use clean water, or a mild detergent solution applied with a soft cloth or sponge. Rinse well and wipe dry.
- Always wipe in the direction of the brushed texture on the stainless steel.
- Periodically apply a fine film of dedicated stainless steel cleaner or baby oil to the extractor hood to add lustre and sparkle to the steel.

## Owner's responsibility.

**NOTE: Since the following are not factory faults, they are the owner's responsibility.**

- Damage to exterior finish.
- Breakage of glass and other components.
- Replacement of the light bulbs.
- Damage through improper use or installation.

## Service.

### **Before calling a service technician to assist with a problem.....**

See if a circuit breaker has tripped or a fuse has blown. Check the wall socket. Has the filter been cleaned? Is the chimney blocked?

**You may be charged for a service call even during the warranty period if the fault is due to or caused by any of the above.**

**If you have followed the instructions and still have a problem, consult your telephone directory for the nearest regional Defy Service Centre.**

They will advise on any aspect of the product, direct you to the nearest Service Agent or have it repaired by qualified technicians.

**Service Centres are located in Bloemfontein, Cape Town, Durban, East London, Johannesburg, Polokwane, Port Elizabeth and Pretoria.**

Other areas are serviced by over 200 authorised Service Agents.

**Further details may be obtained from our Web Site: [www.defy.co.za](http://www.defy.co.za)**

## Warranty.

This certificate is issued by DEFY APPLIANCES LIMITED manufacturers of Defy and Ocean products, hereinafter the Company, to the original purchaser only, of the appliance described on the certificate and shall constitute the only warranty given in respect of this appliance.

The Company warrants to the original purchaser that for a period of TWO YEARS from date of purchase the appliance is free from defect under normal domestic use, both in workmanship and material, subject to the following conditions.

1. Repair or replacement of any part of this appliance, found by the Company to be defective, shall be at the election of the Company. The Company reserves the right to effect such service through any of its Service Divisions or Authorised Service Dealers. The cost of such service shall be borne by the Company in full, provided that the appliance is located no further than 50 km from a Company Service Centre or an Authorised Service Dealer. Where the appliance is located beyond the 50 km radius, the purchaser shall be liable for the standard travelling charges, as determined by the Company.
2. Lamps are specifically excluded from these warranties. It is an express condition of these warranties that the purchaser takes due care and attention in the use and maintenance of the appliance. Abuse, misuse in conflict with operating instructions, connection to incorrect voltages and subjection to commercial use shall release the Company from its obligations.
3. This warranty shall become void and cease to operate if the appliance is dismantled by, or any repairs to the appliance are effected by any persons not duly authorised by the Company, or if substitute parts not approved by the Company are used in the appliance, or if the serial number of the appliance is removed.
4. The Company shall not be responsible for damages resulting from fire, flood, civil disturbances or any Act of God. The Company shall not, in terms of these warranties be responsible nor held liable for any consequential loss or damage of any kind caused by or due to the failure or malfunction of the appliance.
5. The Company shall not be responsible for transportation or other costs other than those incurred within the provisions of Point 1 of this Certificate.
6. These warranties shall not apply to the appliance if it is purchased or used beyond the borders of the Republic of South Africa, Namibia, Botswana, Swaziland and Lesotho.
7. Where service is requested under warranty and no fault or defect can be found by the Company, all costs incurred will be for the purchaser's account.
8. This Certificate as well as your invoice will serve as proof of purchase. For the purpose of warranty, it will be essential to produce this Certificate and invoice. Failure to do so, will render the purchaser liable for service costs.

**KEEP THIS CERTIFICATE AND SALES INVOICE AS PROOF OF PURCHASE FOR WARRANTY PURPOSES.**